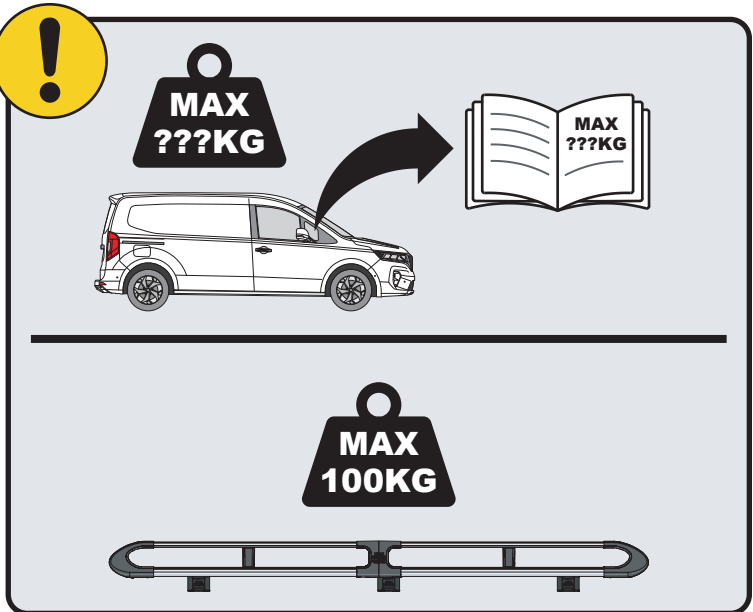
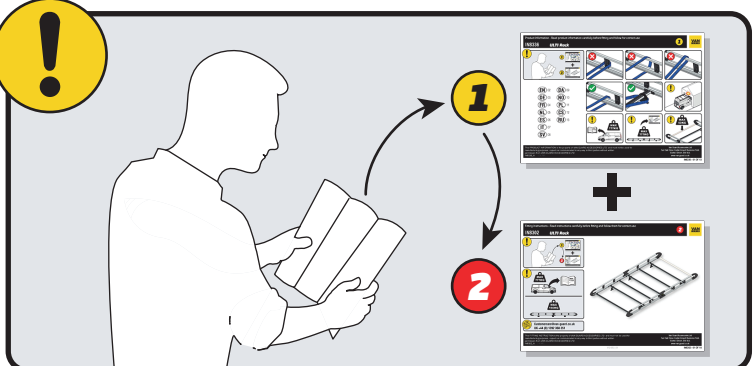


IN8379

ULTI Rack+



 Customercare@van-guard.co.uk
UK +44 (0) 1392 368 351

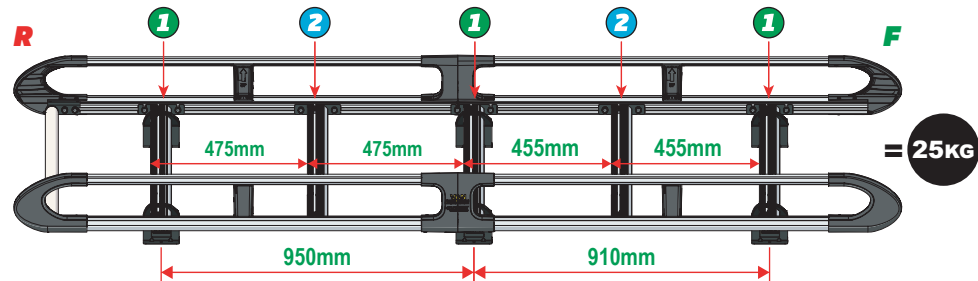
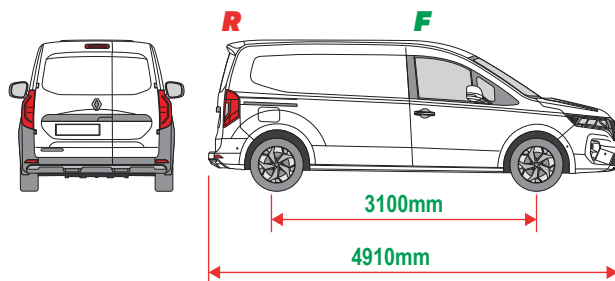


This FITTING INSTRUCTION is the property of VAN GUARD ACCESSORIES LTD. and must not be used for manufacturing purposes, copied nor communicated in any way to third parties without written permission from VAN GUARD ACCESSORIES LTD.
IN8379_A (CN:NR)

Van Guard Accessories Ltd
Fair Oak Close, Exeter Airport Business Park,
Exeter, Devon, EX5 2UL
www.van-guard.co.uk

VGUR-295

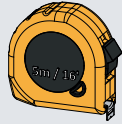
Mercedes Citan: 2022 on
Nissan Townstar: 2022 on
Renault Kangoo: 2022 on
L2H1
Twin Rear Doors



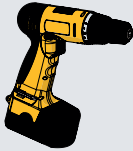
SUPPLIED COMPONENTS - CHECK ALL PARTS ARE PRESENT AND CORRECT BEFORE PROCEEDING (1 OF 2)

TOOLS REQUIRED

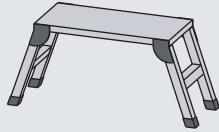
10MM X1



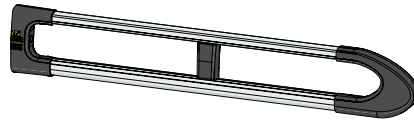
13MM X1



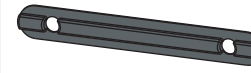
T40 TORX X1



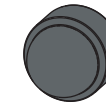
AS3535 X2
(2400 / A)



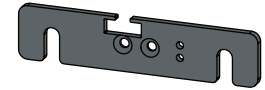
MA6118 X10



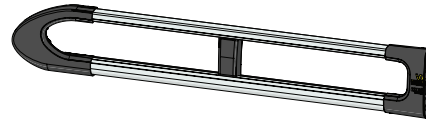
FX4241 X24



ME1622 X2



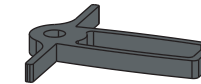
AS3534 X2
(2400 / B)



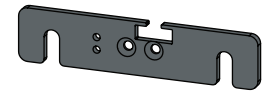
FX4008 X1



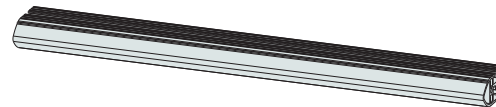
MA6145 X1



ME1623 X2



ME1626 X5
(1264mm)



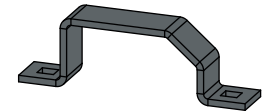
FX4001 X2
(M8X40)



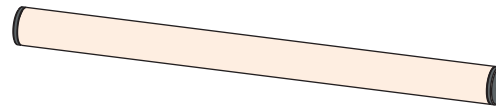
FX4235 X20
(M5X25)



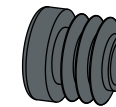
ME0203 X6



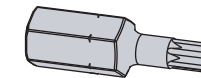
AS3158 X1
(1250mm)



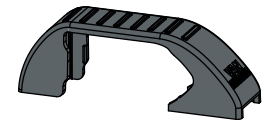
MA6007 X4



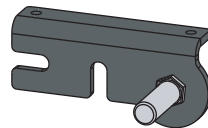
FX4248 X1
(T25)



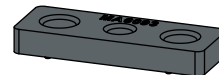
MA6065 X6



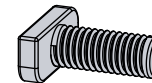
AS3590 X1



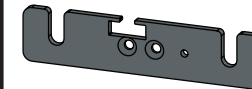
MA6093 X10



FX4239 X24
(M8X20)



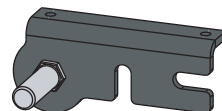
ME1620 X3



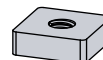
FX4016 X12
(M6)



AS3591 X1



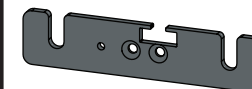
ME0316 X10



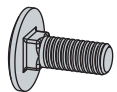
FX4240 X24
(M8)



ME1621 X3

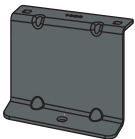


FX4042 X12
(M6X16)



SUPPLIED COMPONENTS - CHECK ALL PARTS ARE PRESENT AND CORRECT BEFORE PROCEEDING (2 OF 2)

ME1826 X1

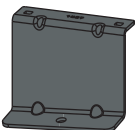


FX4019 X6

(M8)

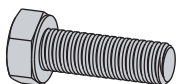


ME1827 X1

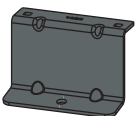


FX4028 X6

(M8X25)

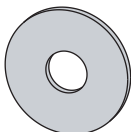


ME1828 X2

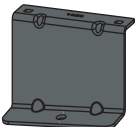


FX4040 X6

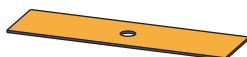
(M8)



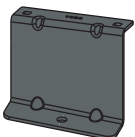
ME1829 X1



MA6018 X6



ME1830 X1



FX4014 X6



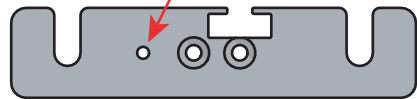
01

1L



X3

1R



X3



2L



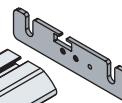
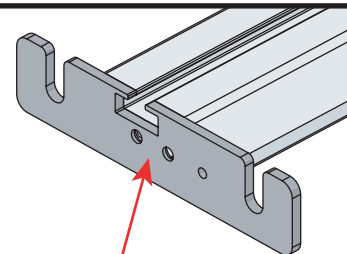
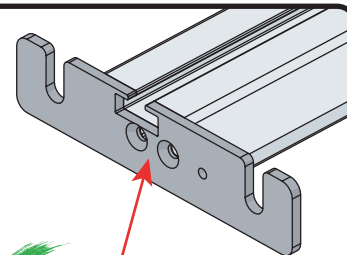
X2

2R



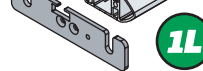
X2

02

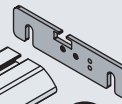


1R

X3

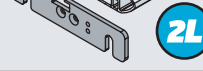


1L



2R

X2

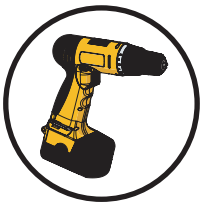


2L

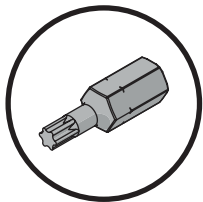
03

01

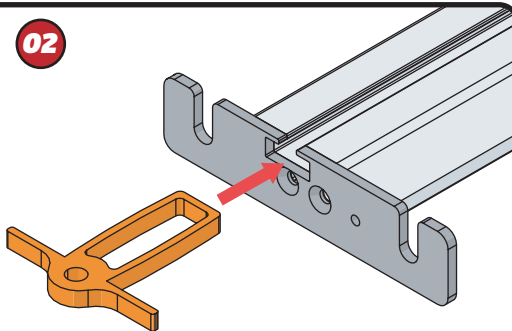
FX4248



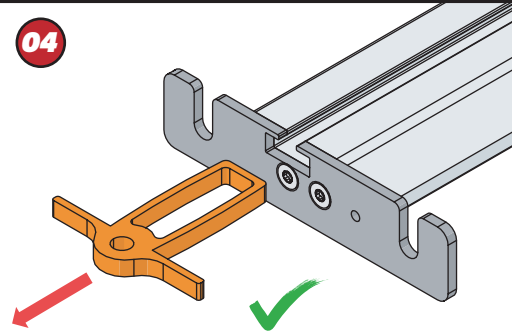
+



02



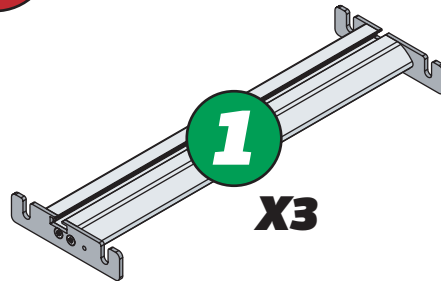
04



04

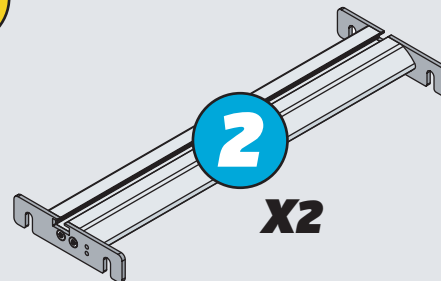


1



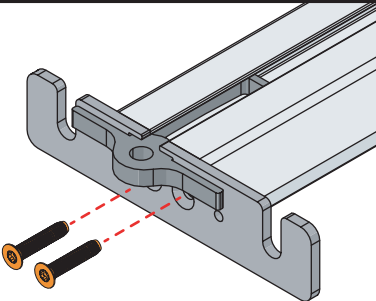
X3

2

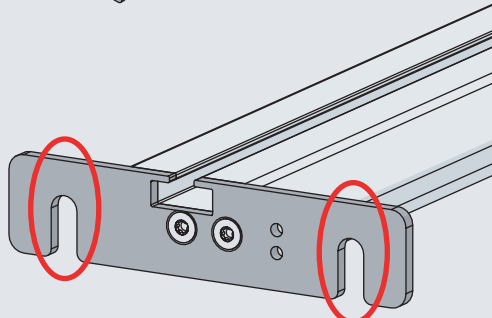
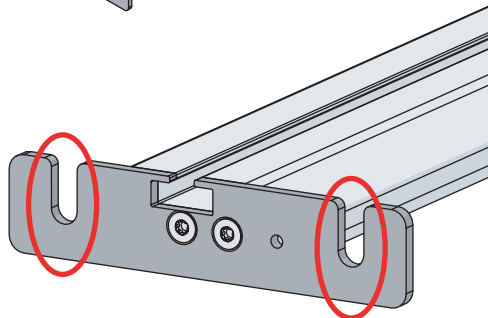


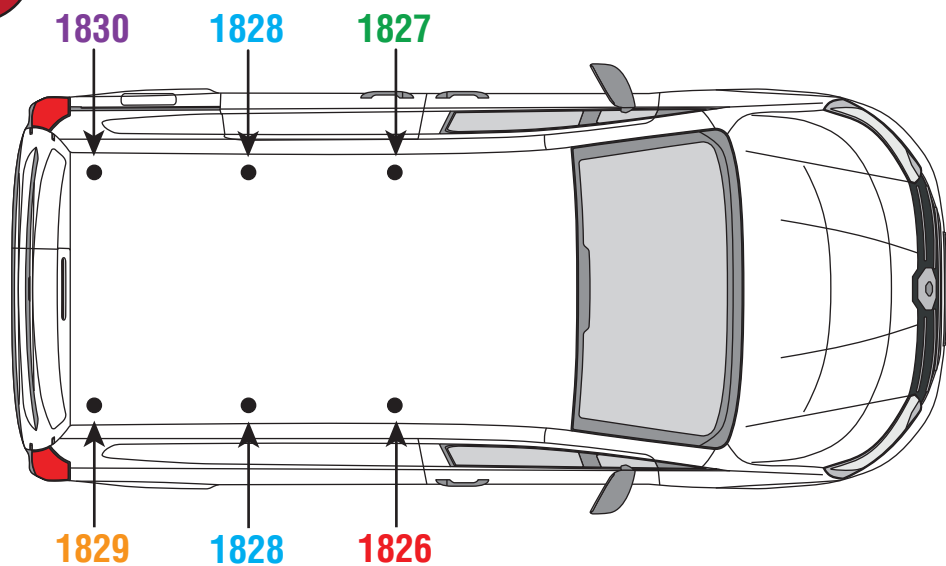
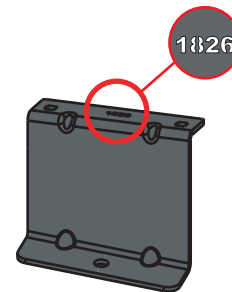
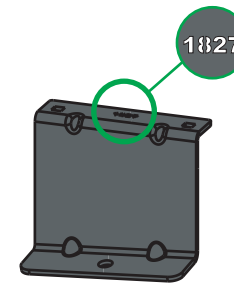
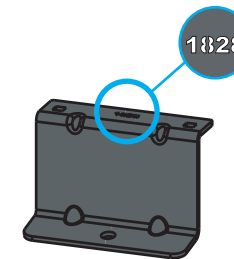
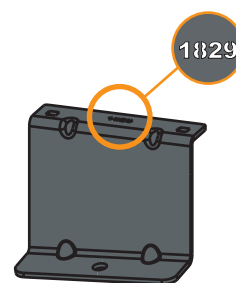
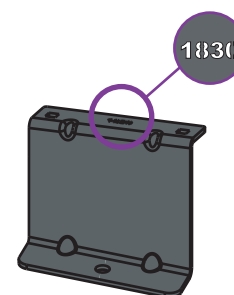
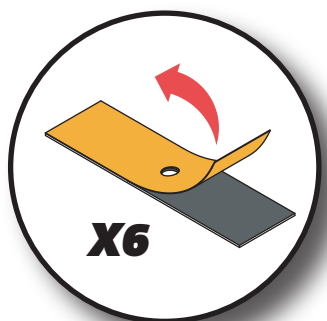
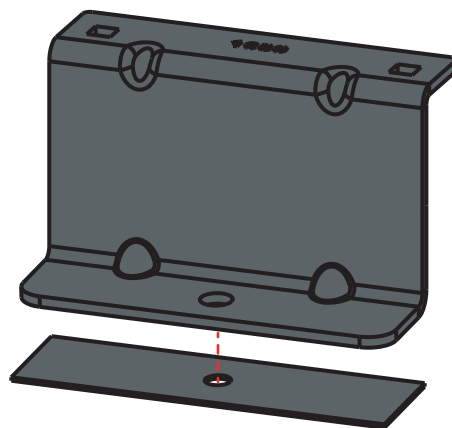
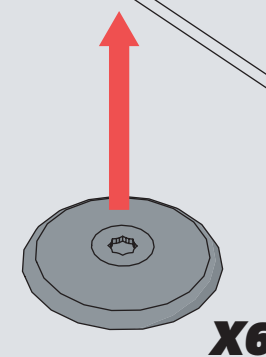
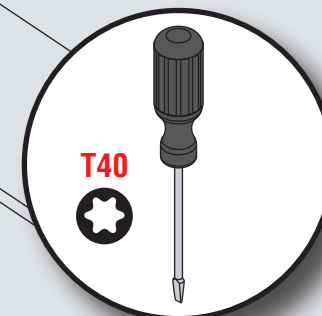
X2

03



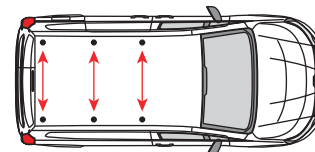
11Nm

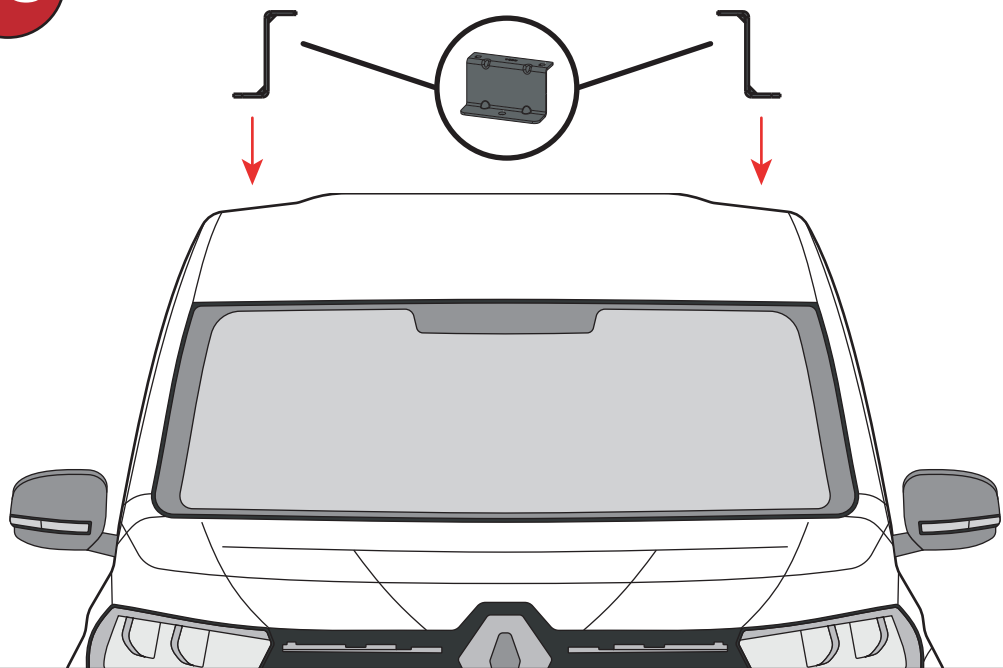
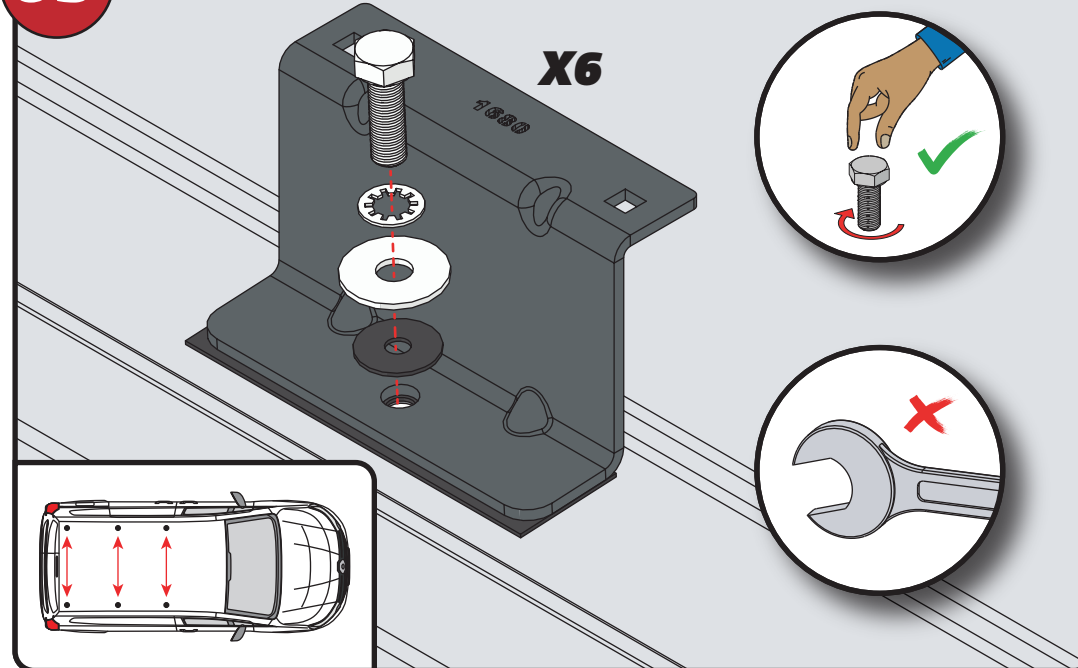
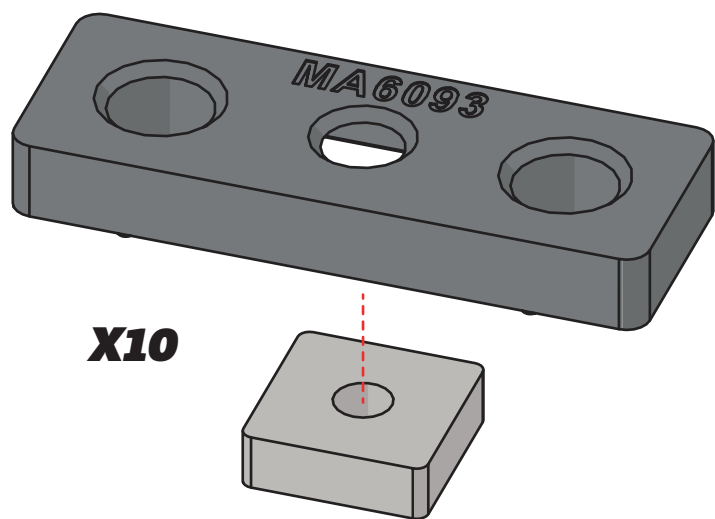
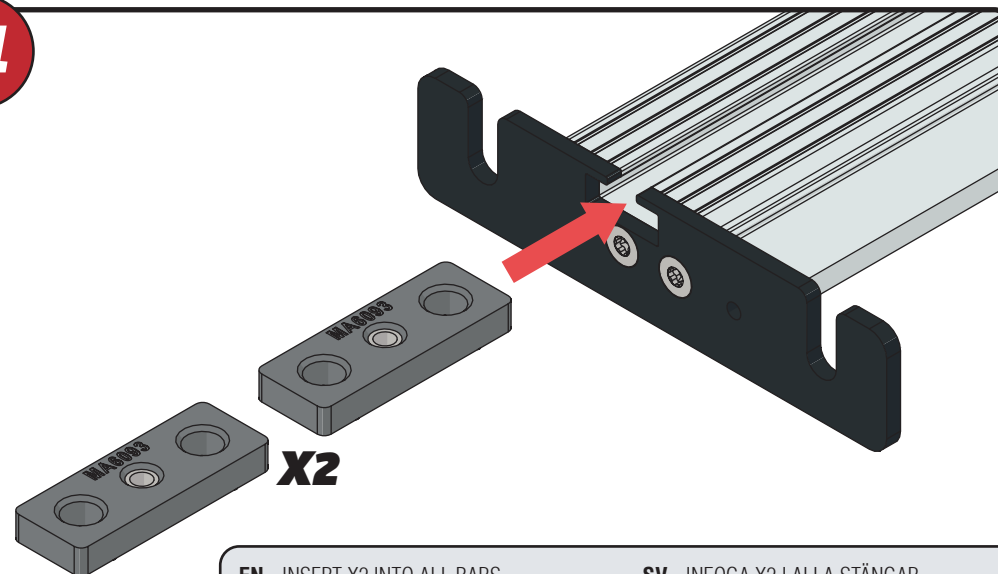


05**1826****1827****1828****1829****1830****06****X6****07****X6****T40**

EN - STICK GASKETS TO ALL BRACKETS
 DE - KLEBEN SIE DIE DICHTUNG AN ALLEN HALTERUNGEN
 FR - COUSSINETS ADHÉSIFS À TOUS LES SUPPORTS
 NL - PLAK PAKKING OP ALLE BEUGELS
 ES - PEGA LAS ALMOHADILLAS A TODOS LOS SOPORTES
 IT - ADESIVI GUARNIZIONI A TUTTE LE STAFFE

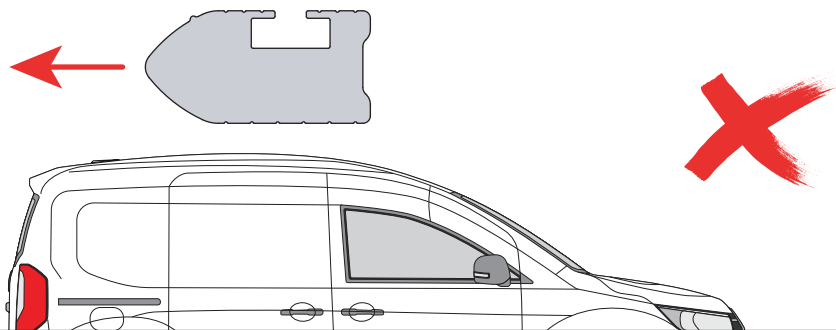
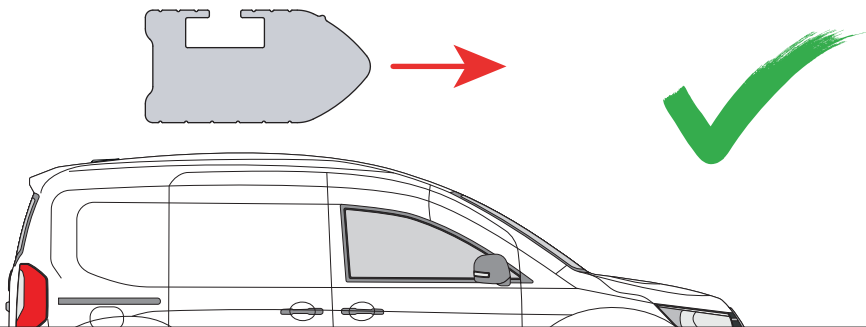
SV - FÄST GUMMI PÅ ALLA FÄSTEN
 DA - KLÆB GUMMI PÅ ALLE BESLAG
 NO - PLIST GUMMI PÅ ALLE BRACKETTER
 PL - NAKLEJ USZCZELKI DO WSZYSTKICH WSPORNIKÓW
 CS - PŘILEPTE TĚSNĚNÍ NA VŠECHNY DRŽÁKY



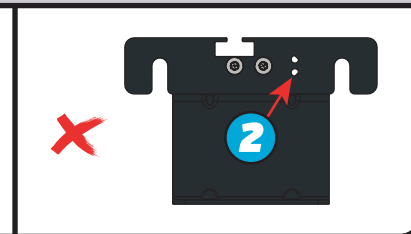
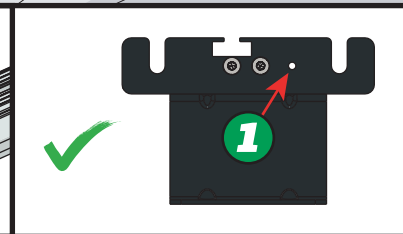
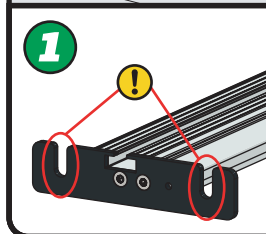
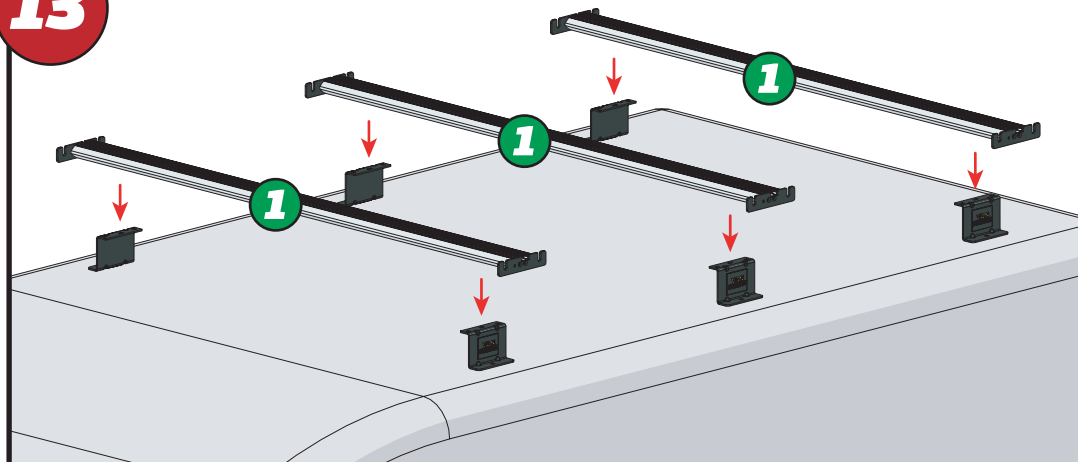
08**09****10****X10****11****X2**

EN - INSERT X2 INTO ALL BARS
DE - X2 IN ALLE STANGEN EINFÜGEN
FR - INSÉRER X2 DANS TOUTES LES BARRES
NL - PLAATS X2 IN ALLE BARS
ES - INSERTAR X2 EN TODAS LAS BARRAS
IT - INSERIRE X2 IN TUTTE LE BARRE
SV - INFOGA X2 I ALLA STÄNGAR
DA - INDSÆT X2 I ALLE STÆNGER
NO - SETT X2 INN I ALLE TAKSTENGER
PL - WSTAW X2 DO WSZYSTKICH PRĘTÓW
CS - VLOŽTE X2 DO VŠECH TYČÍ

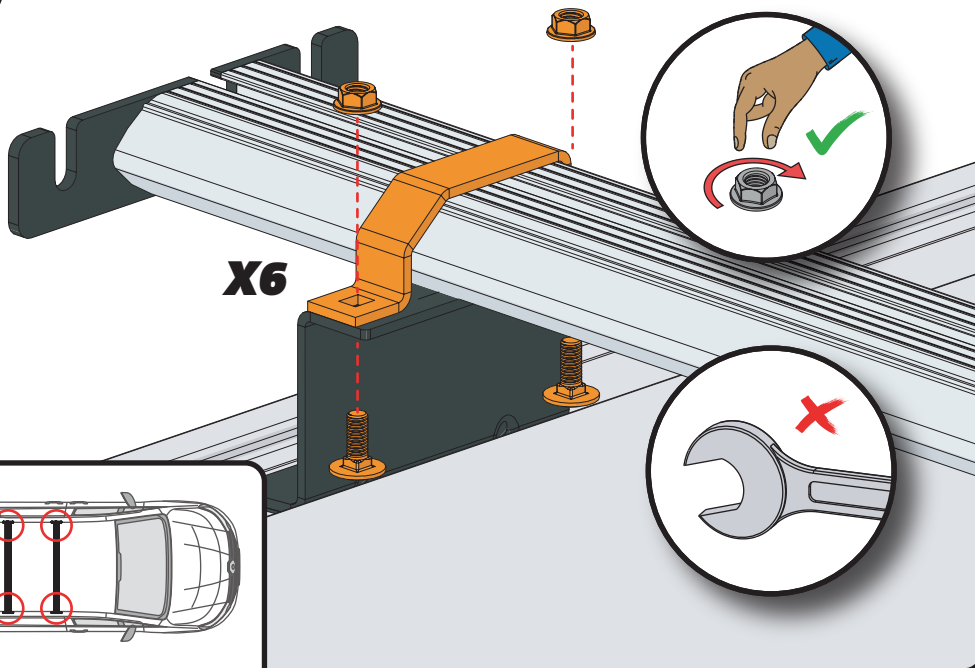
12



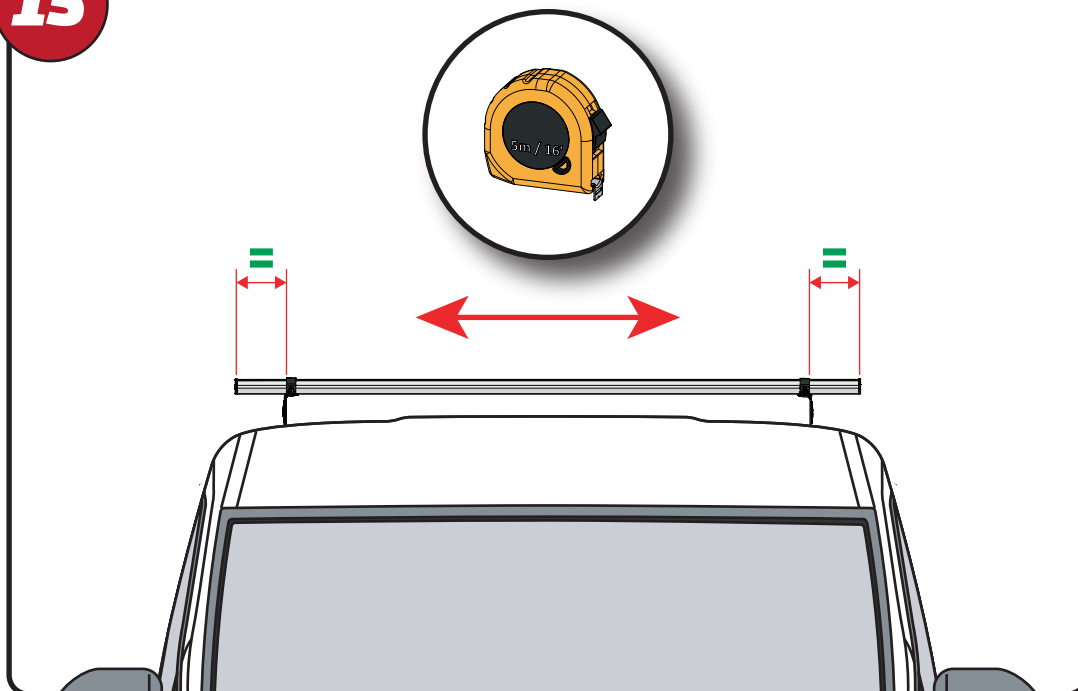
13



14



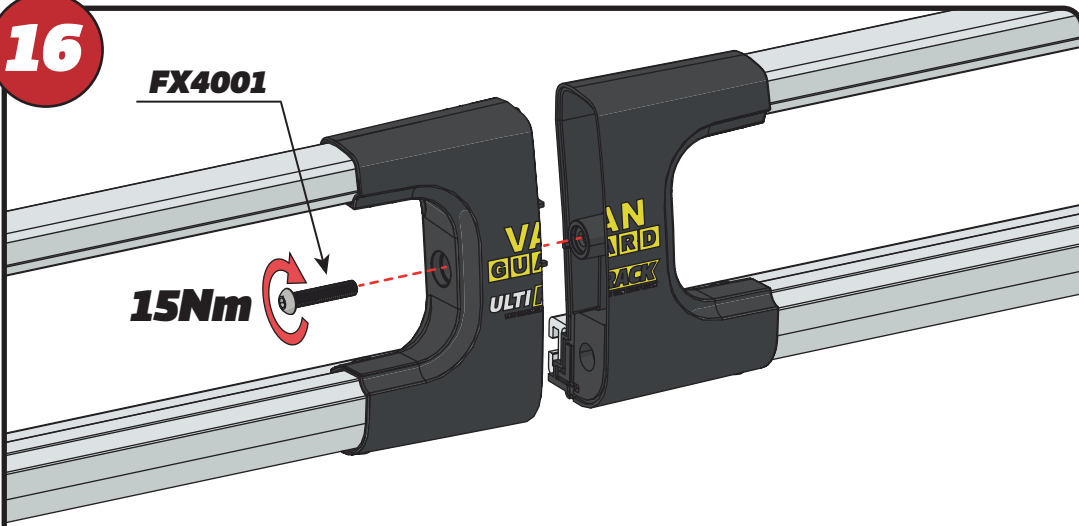
15



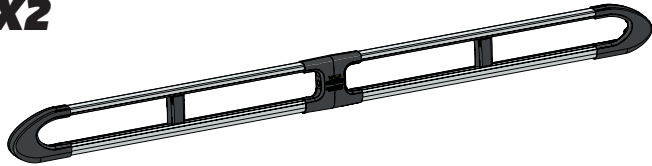
16

FX4001

15Nm



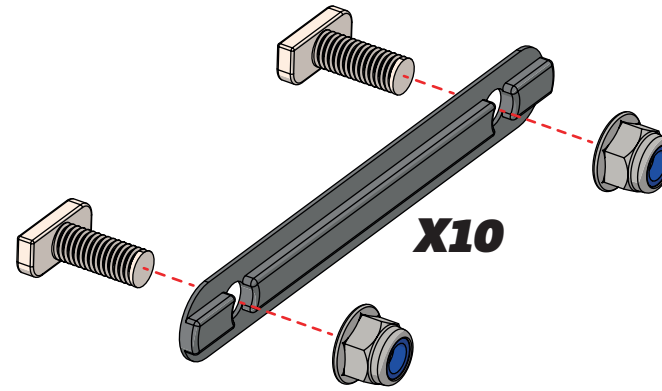
X2



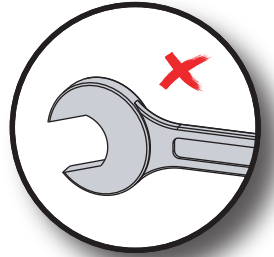
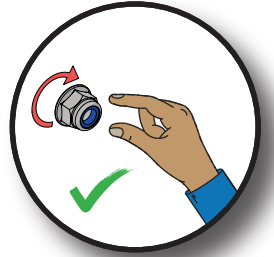
FX4008



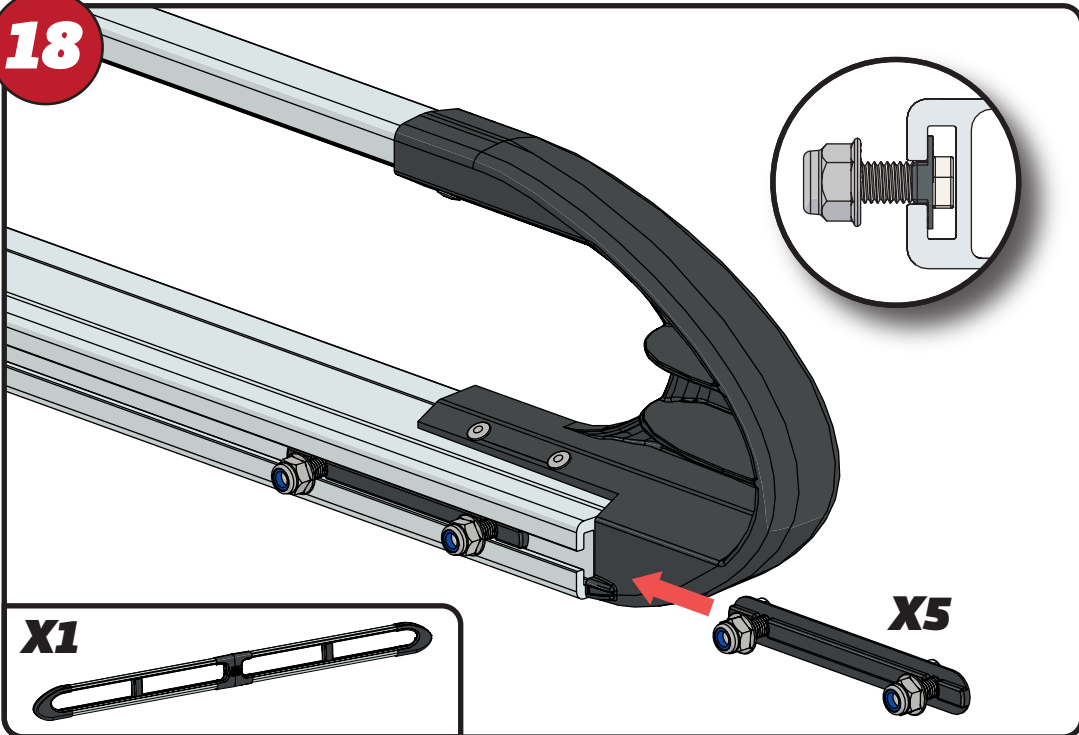
17



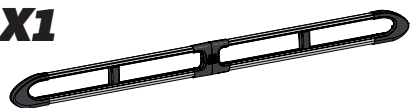
X10



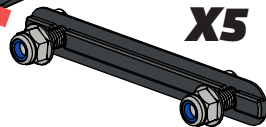
18



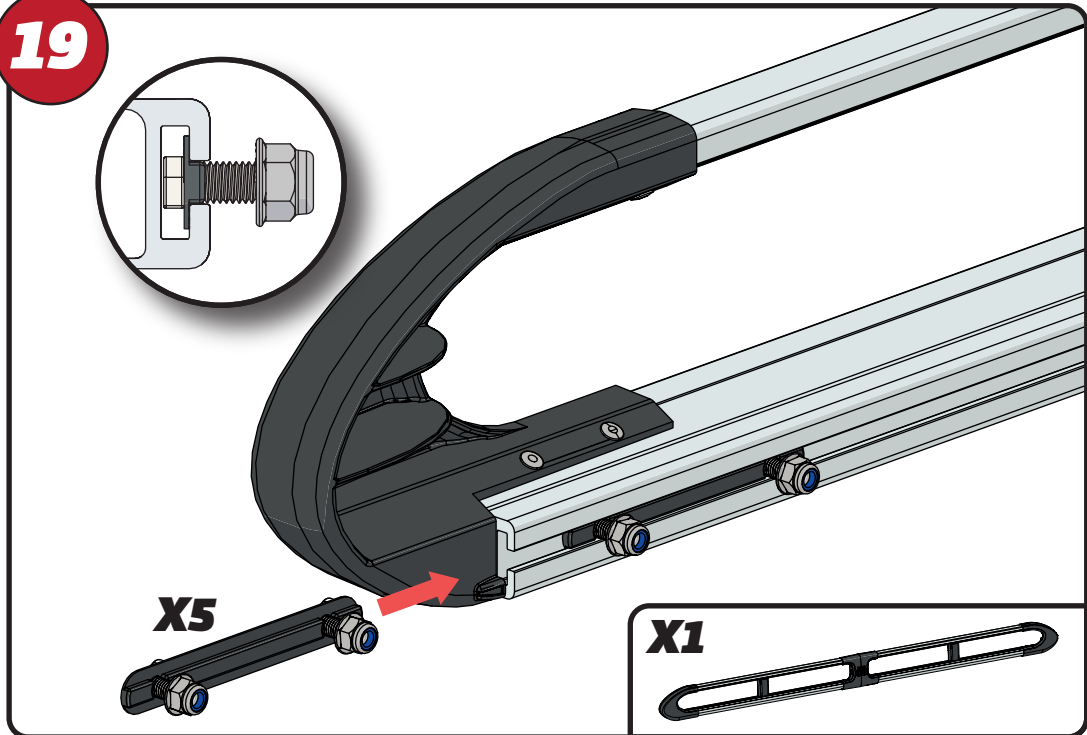
X1



X5



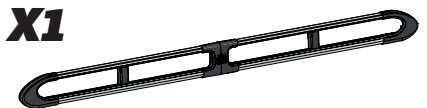
19



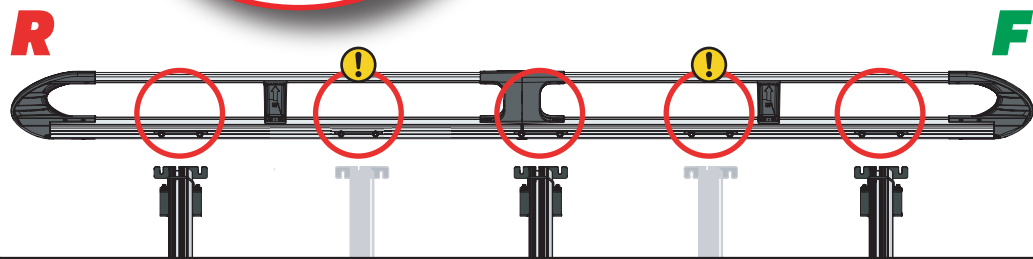
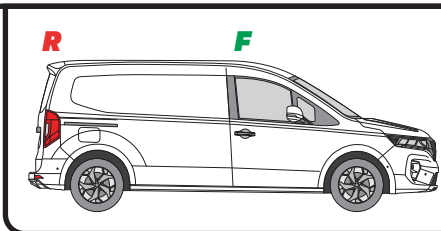
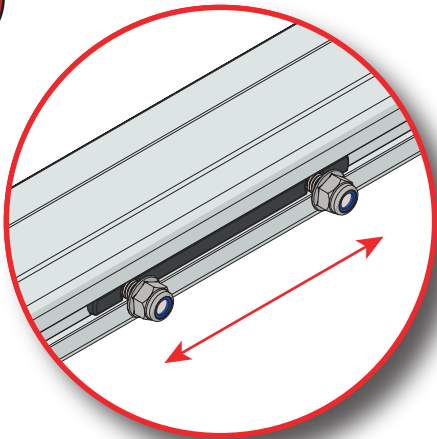
X5



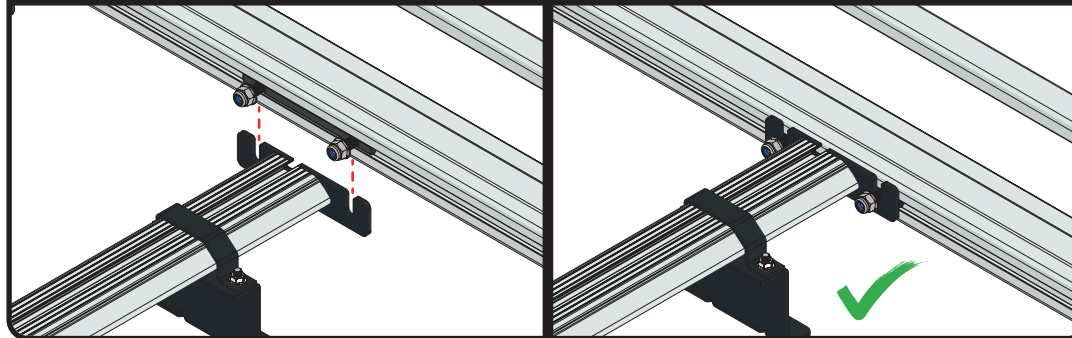
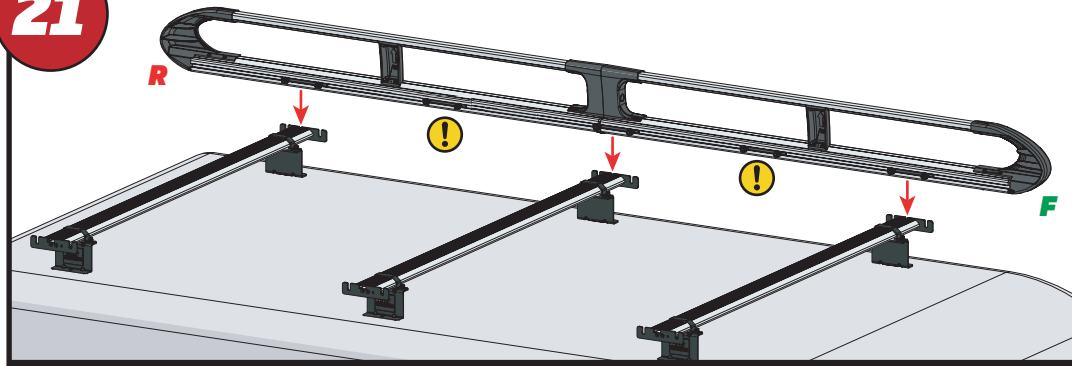
X1



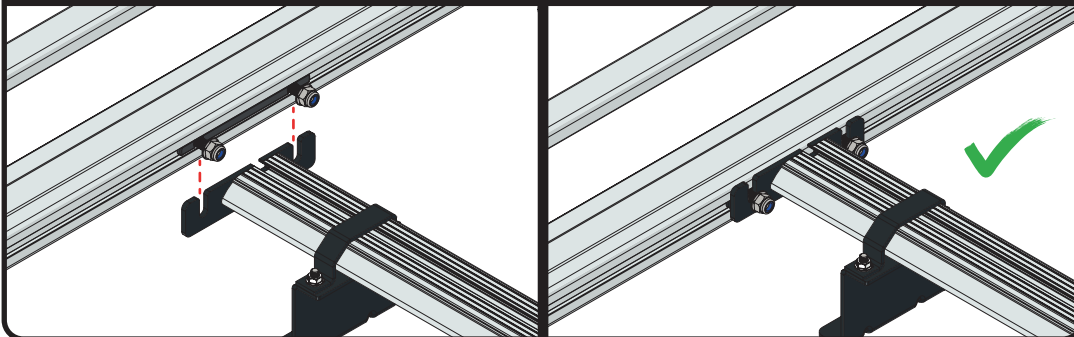
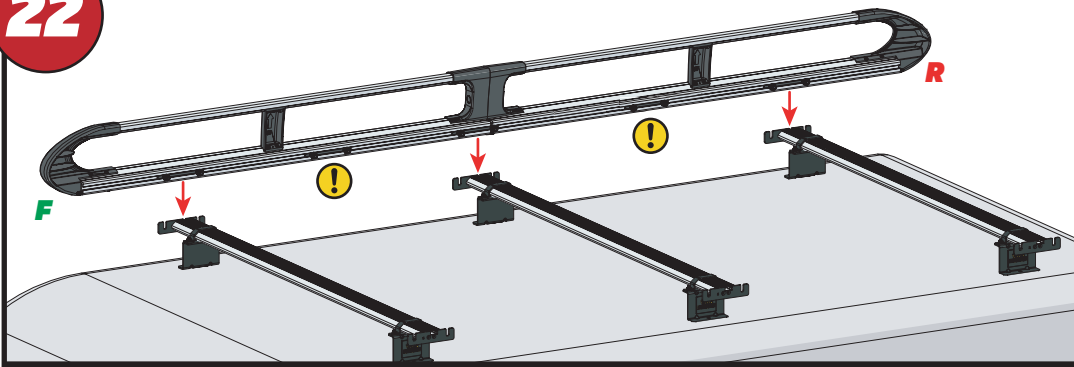
20



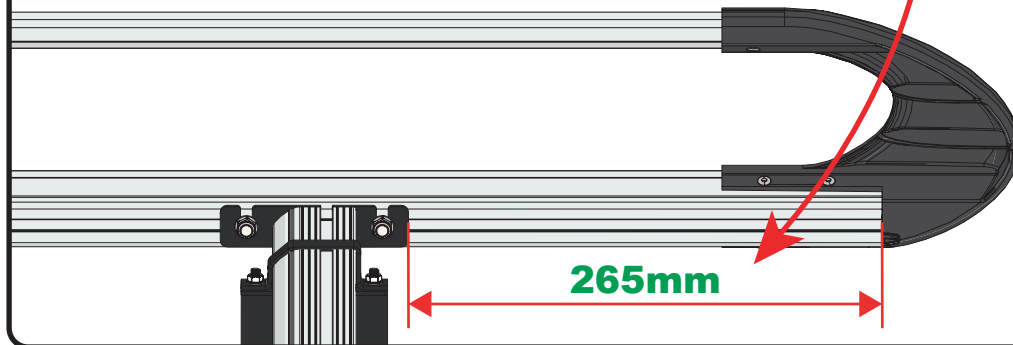
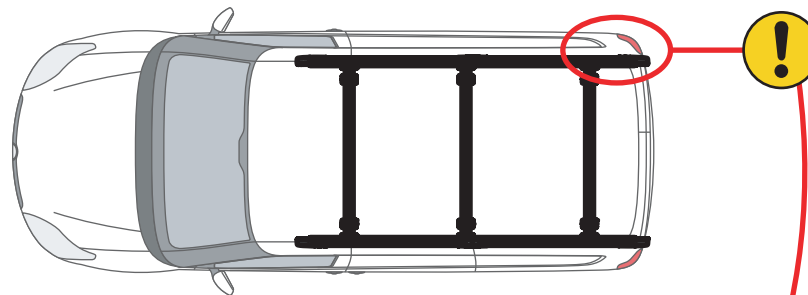
21

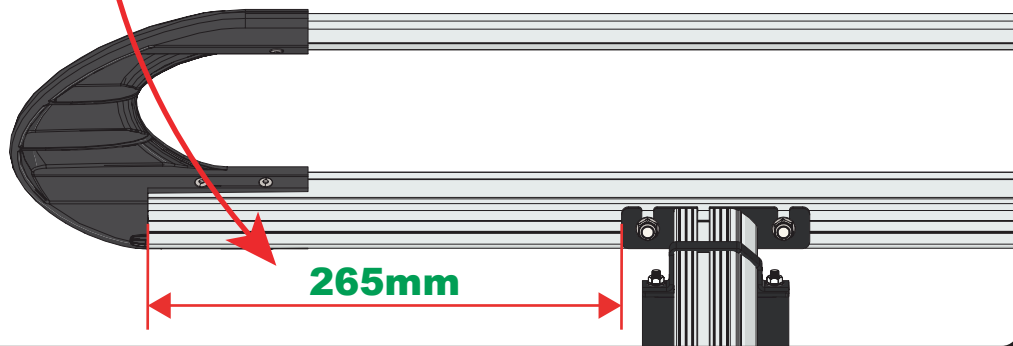
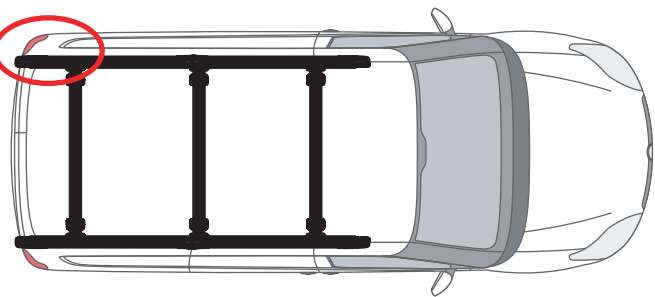
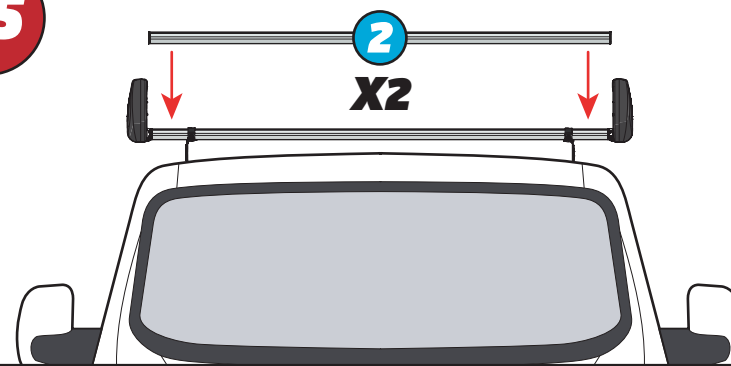
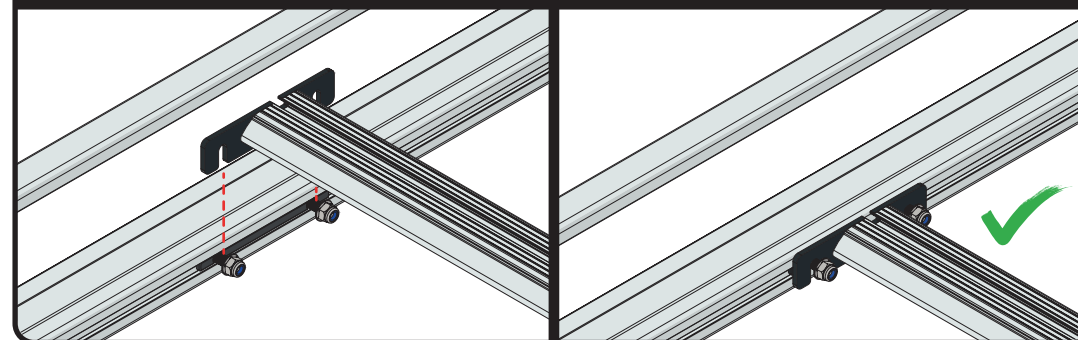
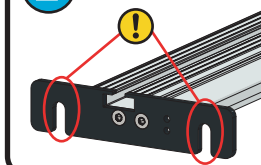
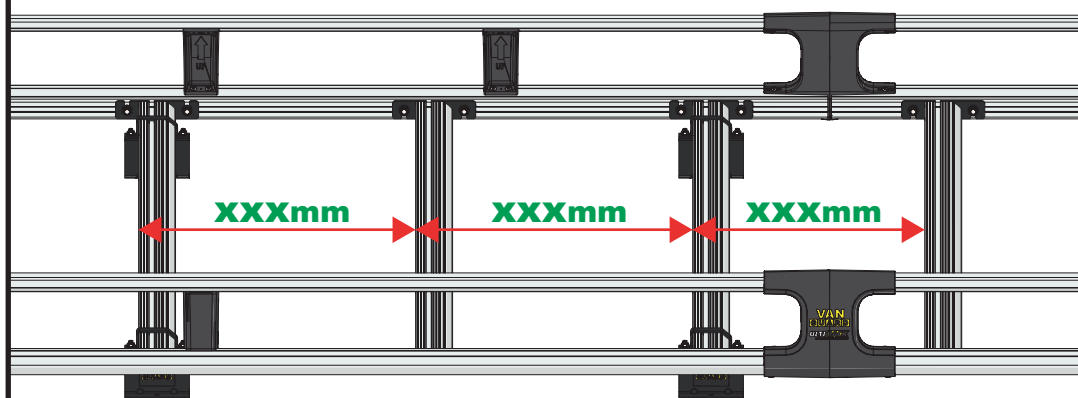
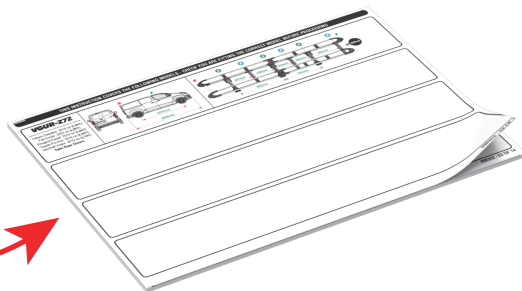
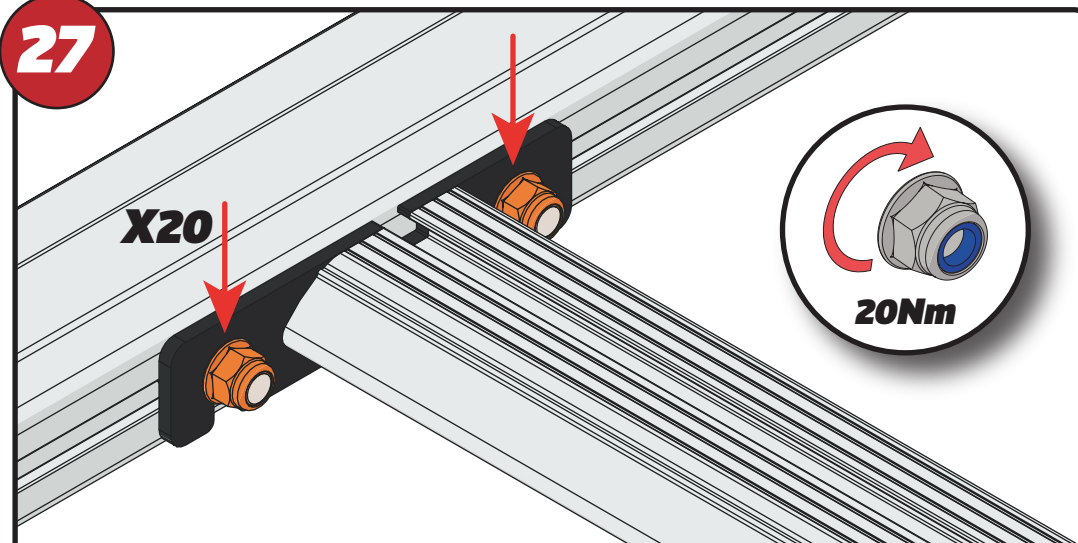


22



23

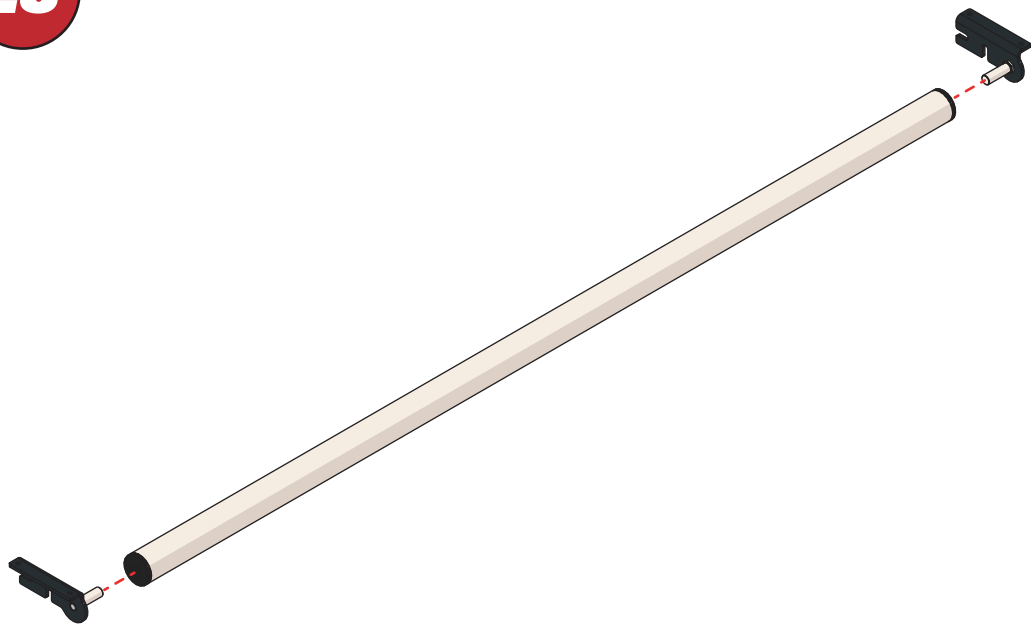


24**265mm****25****2****2**
X2**26****XXX =**
PAGE 2 OF 14**XXXmm****XXXmm****XXXmm****27****X20****20Nm**

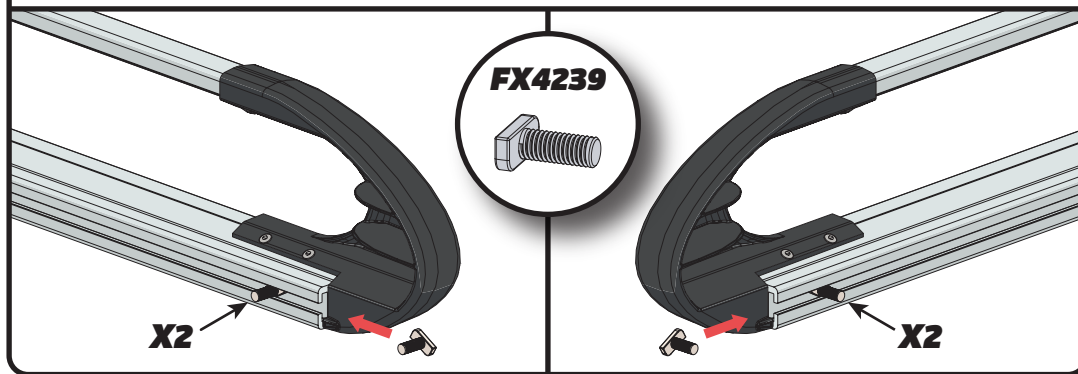
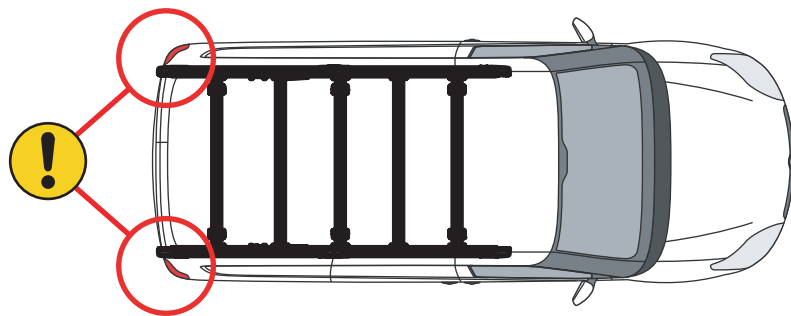
EN - TIGHTEN ALL OF THE CROSS BARS
 DE - ALLE QUERSTANGEN FESTZIEHEN
 FR - SERREZ TOUTES LES BARRES TRANSVERSALES
 NL - DRAAI ALLE DWARSBAKKEN AAN
 ES - APRIETE TODAS LAS BARRAS TRANSVERSALES
 IT - STRINGERE TUTTE LE BARRE TRASVERSALI

SV - SPÅÅ ALLA KORSSTANGAR
 DA - STRÆM ALLE Tværstængerne
 NO - STREM ALLE TVERRSTENENE
 PL - DOKRĘCIĆ WSZYSTKIE POPRZECZKI
 CS - UTAHUJTE VŠECHNY PŘÍČNÉ TYČE

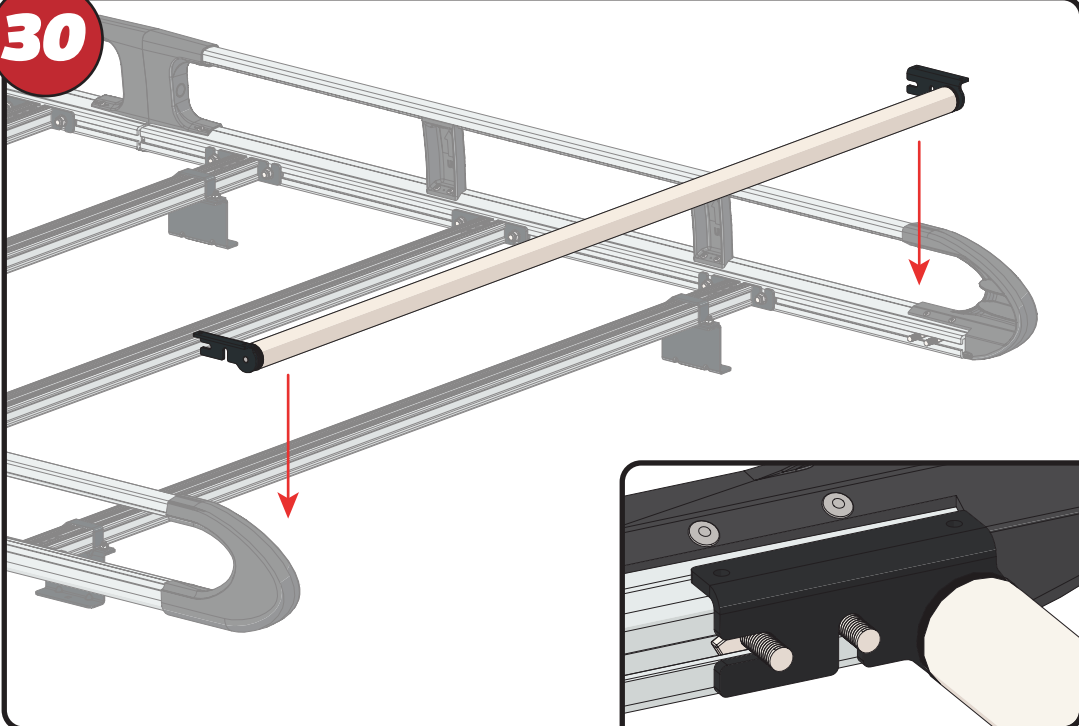
28



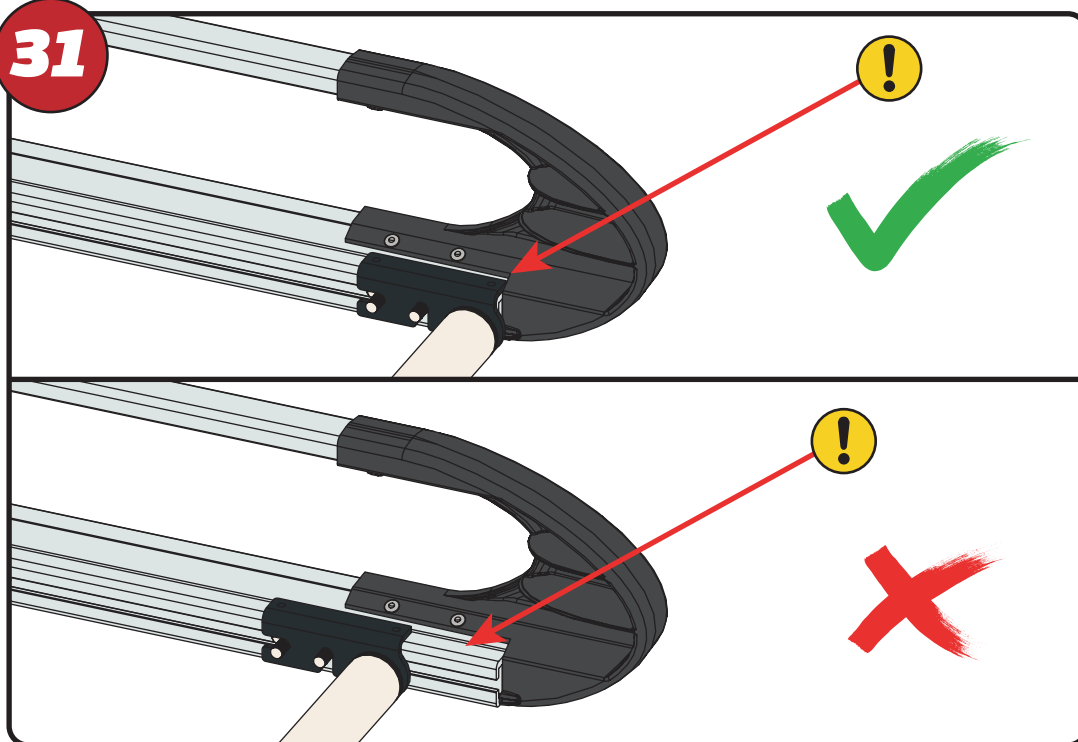
29



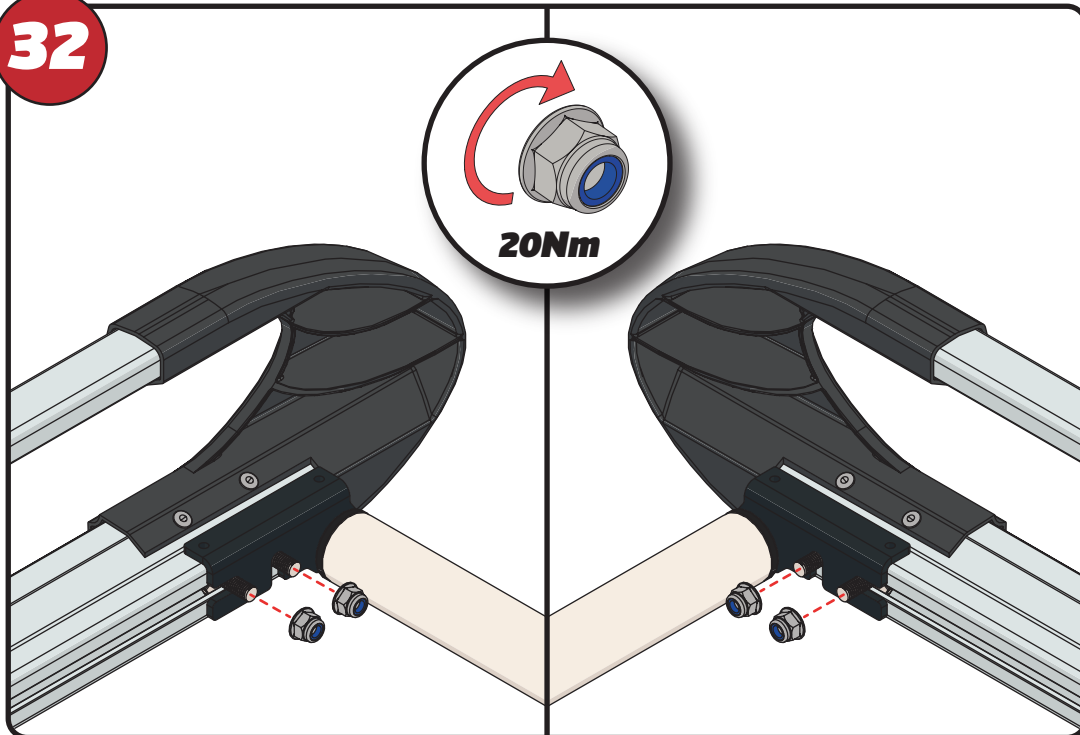
30



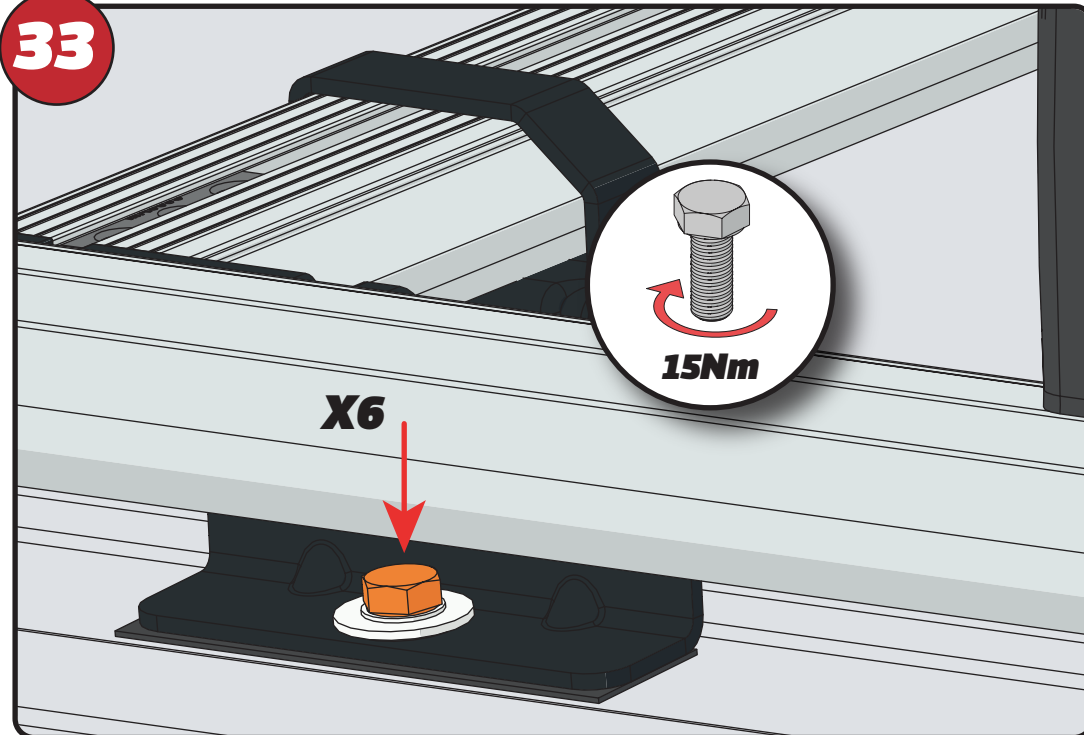
31



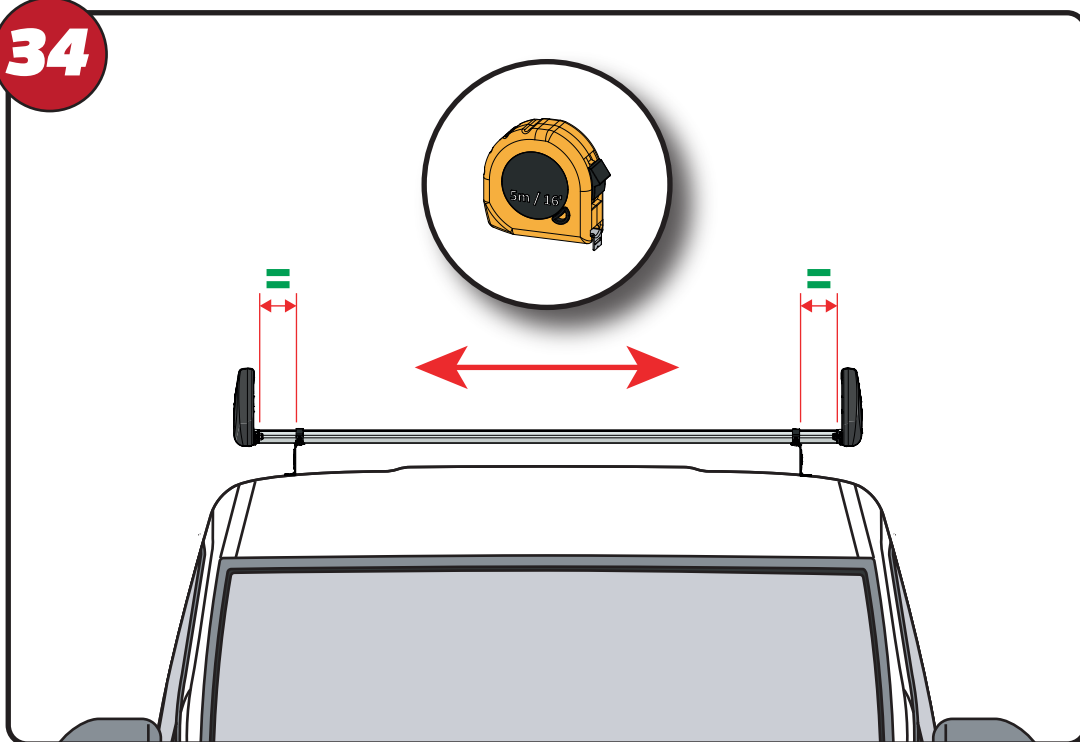
32



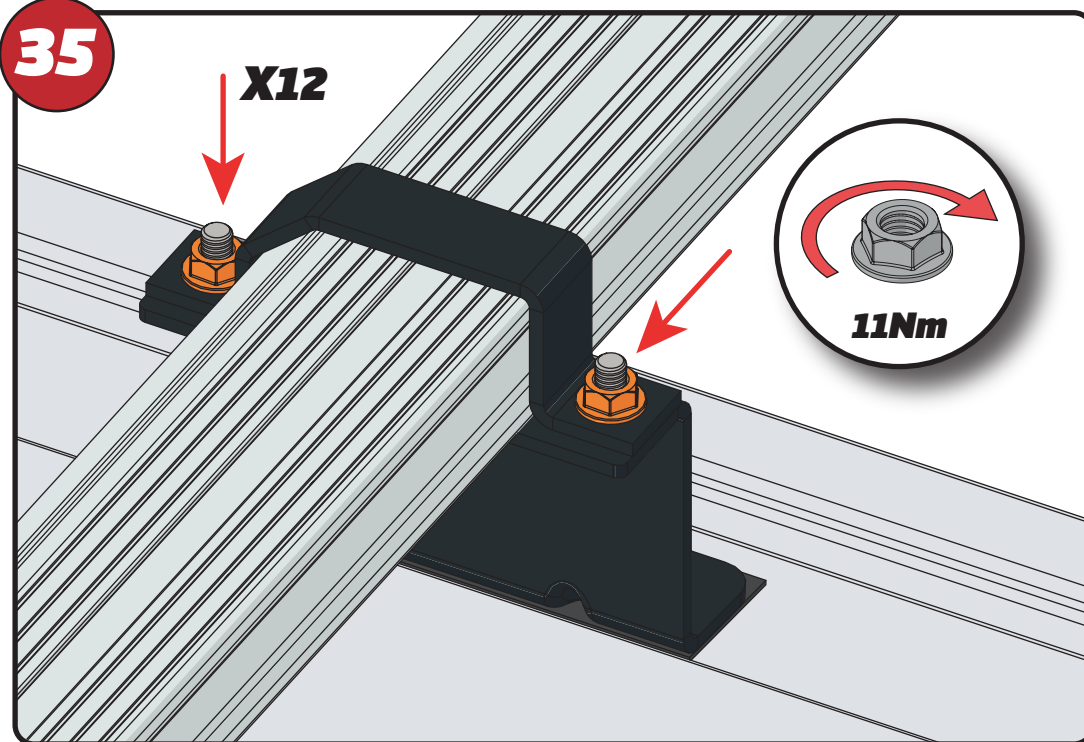
33



34



35

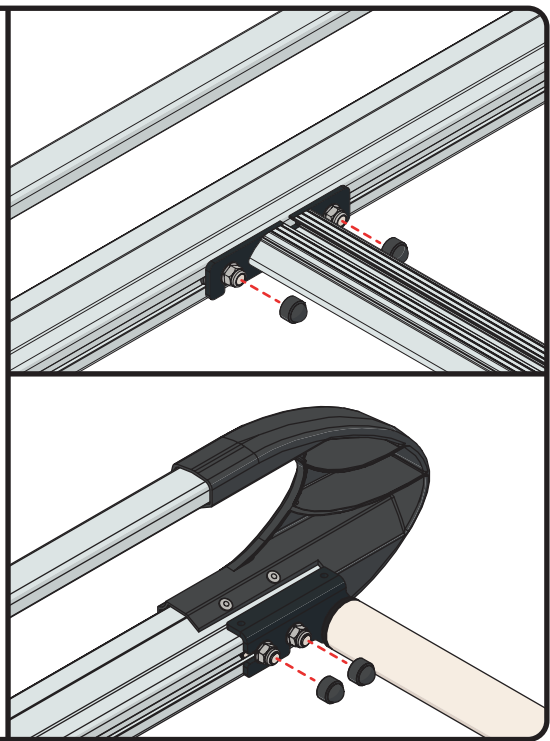


36



FX4241

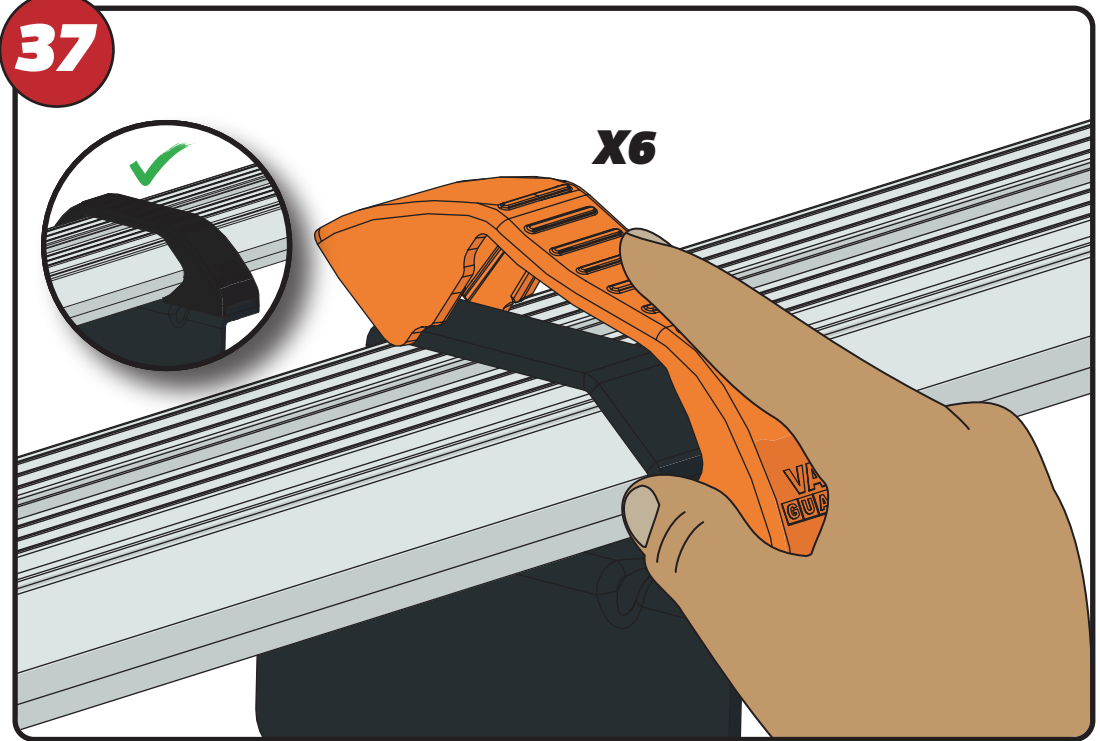
X24



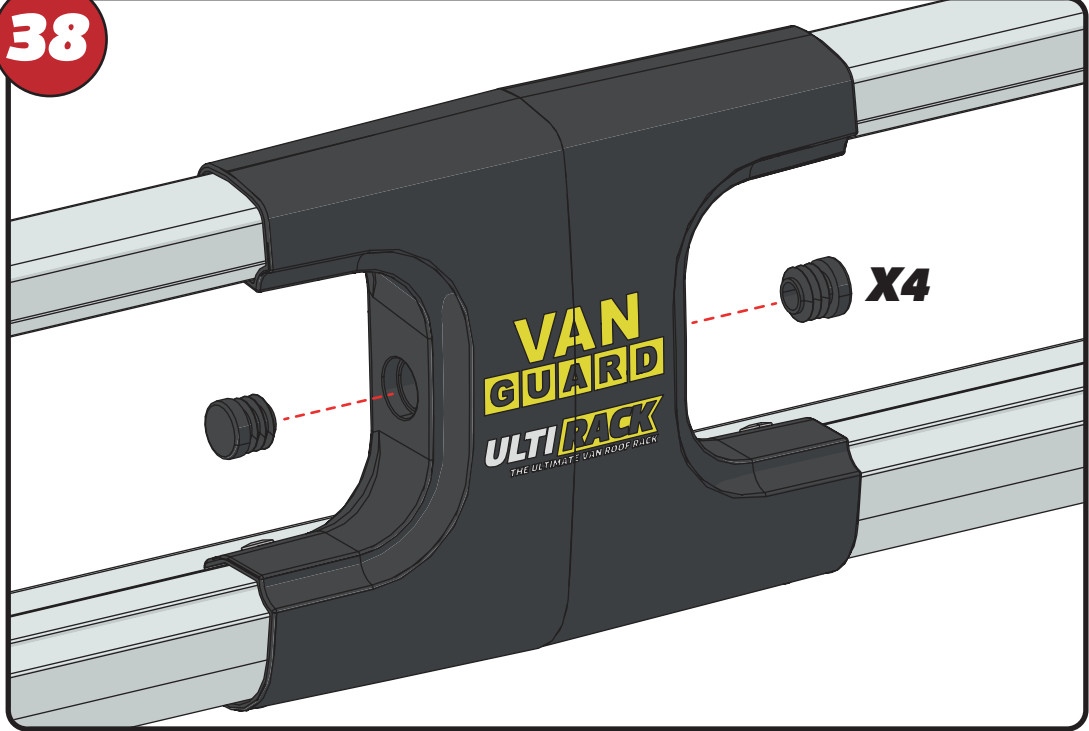
37



X6



38



VAN GUARD
ULTI RACK
THE ULTIMATE VAN ROOF RACK

X4

39

